

Wiring Harness Kit

FOR INSTALLATION OF 1 × LIGHT BAR

INSTRUCTIONS

Battery / Power Connection

1. Connect the Red Eyelet to the positive battery post or other 12V DC power source.
2. Connect the Black eyelet to the negative battery post or other suitable ground.

Light Connection

3. If you are using a Noxolis Driving Light or Light Bar product, simply connect the 2-Pin Deutsch connector into the light.

If you are not using a Noxolis lighting product you will need to check whether the 2-Pin Deutsch connector is suitable.

If it is not, an appropriate connector will need to be installed to the harness.

High Beam Connection

4. There are two options to connect your lights and harness to your vehicle's high beam circuit.

- 1) Use the bare cable adaptor to connect directly into the high beam wiring circuit using crimp terminals as an example.
- 2) Use the H4 / HB3 adaptor cable to connect directly between the bulb and the vehicle plug.

Final Touches

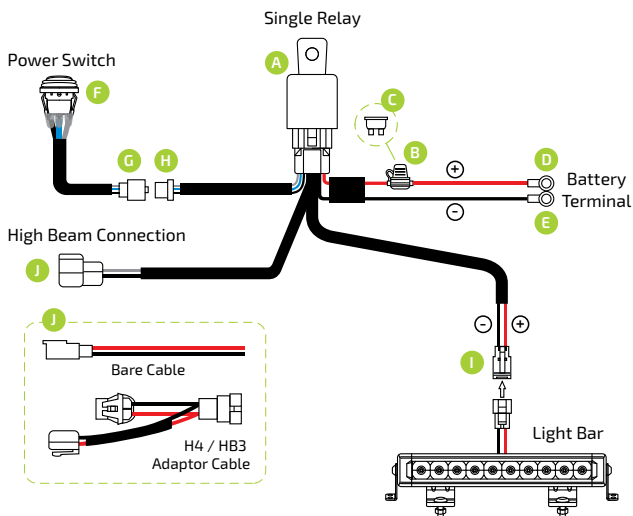
5. Route the wiring harness away from heat sources, sharp edges, abrasive surfaces and moving objects.
6. Secure the wiring harness with zip ties or another adequate device.
7. Install the on/off switch in a safe location.
8. After installation is complete, reconnect the vehicle's battery.
9. Adjust the angle of the light as needed.

DESCRIPTION

- A Relay (4-Pin 12V DC 40A)
- B Fuse Holder
- C Blade Fuse (30A)
- D Red Eyelet
- E Black Eyelet
- F 3-Pin Rocker Switch
- G 3-Pin Female Connector
- H 3-Pin Male Connector
- I 2-Pin Deutsch DT Connector Socket
- J High Beam Connection

Option 1: Bare Cable (into high beam circuit)

Option 2: H4 / HB3 Adaptor Cable



Wiring Harness Kit

FOR INSTALLATION OF 1 × LIGHT BAR

CAUTION

- ▶ The Max Load Current for this wiring harness is 24 Amp (12 Amp per lead), please make sure the max current load for your light is less than this.
- ▶ This wiring harness comes with a 30 Amp blade fuse. You can change it to another proper fuse for your needs.

SPECIFICATION

Working Voltage
12V DC

Max Load Current
24 Amp (12 Amp per lead)

Operating Temperature
-30°C ~ 70°C (-86°F ~ 158°F)

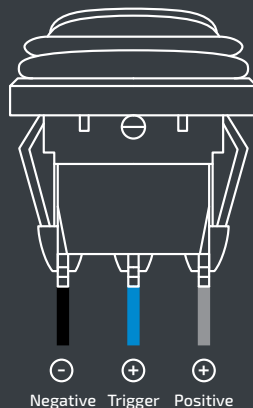
Cable from Relay to Connector
16AWG 9.8ft (300cm)

Cable from Relay to Battery terminal
14AWG 1.6ft (50cm)

Cable from Relay to Switch
20AWG 9.5ft (290cm)

NOTICE FOR SWITCH

- ▶ The switch was connected to the wiring harness by default:
 - White wire (+) to the prong with one hole on edge.
 - Black wire (-) to the prong with two holes.
 - Blue wire (Trigger) to the prong with one hole in middle.
- ▶ If you want to use with other switches instead, please make sure all three wires are connected correctly.



For all enquiries
Ph: +61 (03) 9336 2066
www.noxsolis.com

noxsolis™